

# Explosion Proof Light D Series



**Industrial Field & Hazardous Locations**

# Applications

## Oil and Gas industry

- All petroleum production and refining
- Petroleum loading and transportation
- Petroleum storage and retail
- LNG industry

- All mining operations and service

## Chemical industry

- All types of paint facilities
- Chemical production and storage

## Ocean, marine and aerospace field

- Ocean platform operation facilities and structure
- Aerospace clean room and production
- Ocean vessel operations

## Metal treatment

- Steel and aluminum factories
- Pumping stations in any environment
- Metal smelting, foundry and fabrication

## Food and alcohol industry

- Flour and fine particle production and storage
- Food and distilling production
- Alcohol industry

Other high humidity, high dust, high temperature, vapor locations



# Explosion Protection

Marking UL844<sup>(North American)</sup>

- Class I, Div. 1, Groups C, D
- Class I, Div. 2, Groups A,B,C,D
- Class II, Div. 1, Groups E,F,G
- Class II, Div. 2, Groups F,G
- Class III

Marine Marking

- UL 1598A
- ABS

Other Rating

- IP 66
- IK 10



## Materials

- Housing: Aluminum
- Lens: Tempered glass
- Hardware: stainless steel
- Mounting Bracket: stainless steel



## Specification

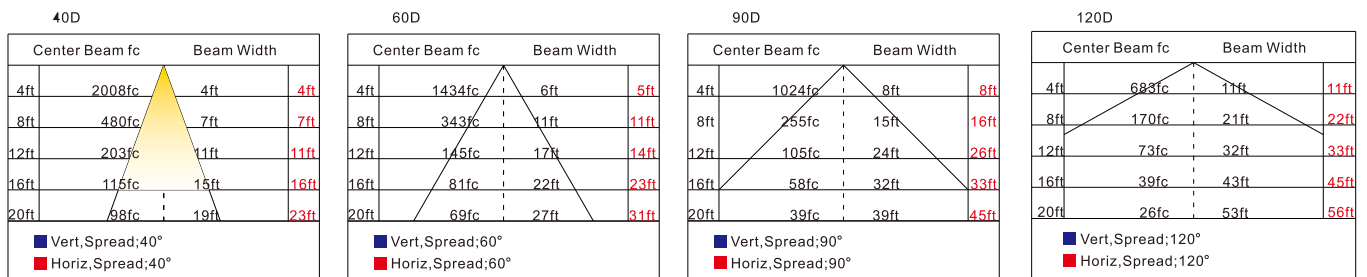
Model	Wattage	Color Temperature	Voltage	Lumens	Warranty	CRI	Emergency Time
EX-20W D2YZDA	20W	2200K-7000K	AC100-277V (by driver or by IC) Or AC200-480V (<65W) Or DC12-48V	2800	5 years	80	3 Hours
EX-40W D2YZDA	40W			5600			
EX-60W D2YZDA	60W			8400			
EX-80W D2YZDA	80W			11200			
EX-100W DYZDA	100W			14000			
EX-150W DYZDA	150W			21000			
EX-200W DYZDA	200W			28000			

"D,D2"=Product series; "Y"=D or N: Dimmable or non-dimmable; "Z"=CCT, from 2200-7000K; "D"=Beam angle, D40 for 40°, D60 for 60°, D90 for 90°, D120 for 120°; A for glass info.: blank for flat glass.

## Packing Information

Model	Quantity/Ctn	Dimension(MM)	Net weight(KG)	Gross weight(KG)
D	1	502×376×350	17.9	19.5
D2	1	400×385×335	7	9.5

## Light Distribution

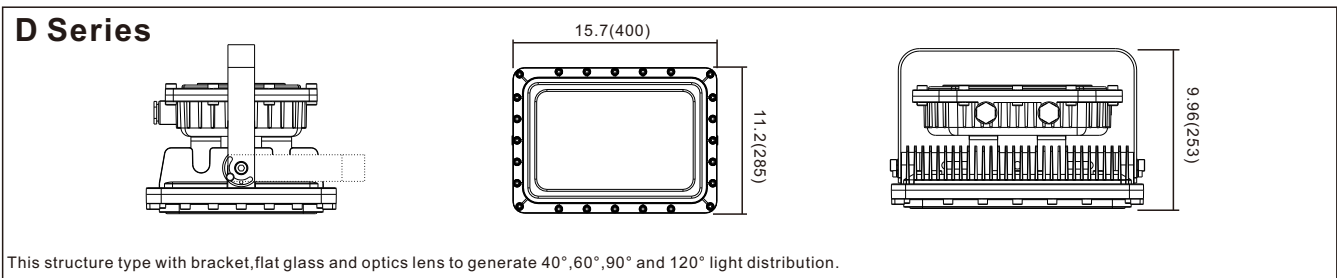
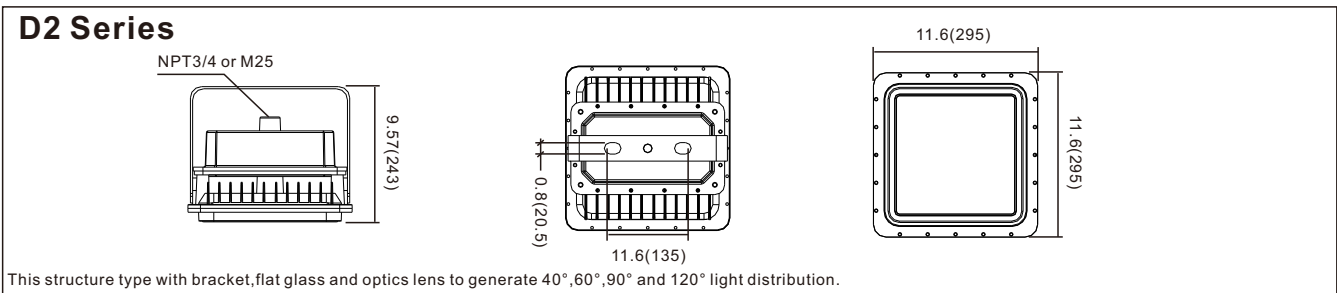


# Features

- Working Temperature: -40°C ~ +55°C.
- High quality SMT LED and Meanwell Driver.
- Light-weight design by aircraft aluminum.
- Heavy-duty and high impact resistance.
- Three connection cable entry points.
- Replaceable LED board and drivers.
- Integrated junction box for driver with emergency back up.
- Dimmable and battery back up function available.
- Marine rating powder coated appearance treatment.
- Up to 5 years limited warranty option.
- Emergency Battery back up to three hours.
- Various installation ways for different applications.
- Glass lens or Glass with polycarbonate lens to make bigger beam angle.

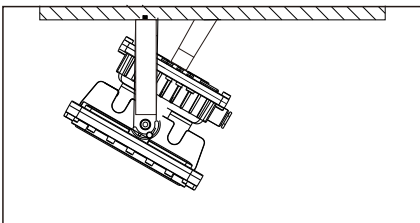


# Dimension Unit: mm or inch

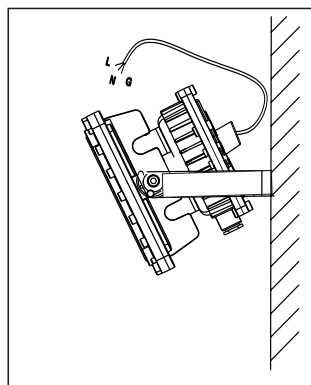


# Mounting

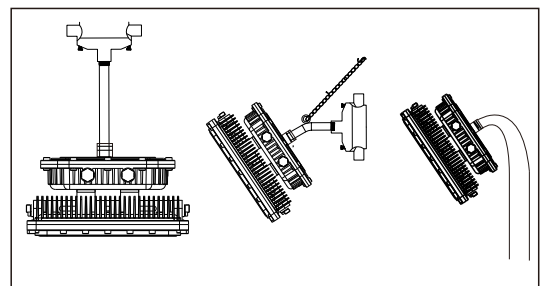
No.1: Ceiling Mounting



No.2: Wall Mounting



No.3: Pole Mounting





**D**



**D2**

## Accessories

Junction Box



Bracket



Straight Pipe



Chain



Metal Conduit



Bended Pipe

