



Explosion Proof Light H Series



Industrial Field & Hazardous Locations

Applications

Oil and Gas industry

- All petroleum production and refining
- Petroleum loading and transportation
- Petroleum storage and retail
- LNG industry

- All mining operations and service

Chemical industry

- All types of paint facilities
- Chemical production and storage

Ocean, marine and aerospace field

- Ocean platform operation facilities and structure
- Aerospace clean room and production
- Ocean vessel operations

Metal treatment

- Steel and aluminum factories
- Pumping stations in any environment
- Metal smelting, foundry and fabrication

Food and alcohol industry

- Flour and fine particle production and storage
- Food and distilling production
- Alcohol industry

Other high humidity, high dust, high temperature, vapor locations



Explosion Protection

Marking Atex

II3 G Ex ec IIC T5/T6 Gc

II2 D Ex tb IIIC T80/100°C Db IP66

Marking IECEX

Ex ec IIC T5/T6 Gc

Ex tb IIIC T80/100°C Db IP66

Marking UL844(North American)

Class I, Division 2, Groups A, B, C, D

Class II, Division 1, Groups E, F, G

Class II, Division 2, Groups F, G

Class III

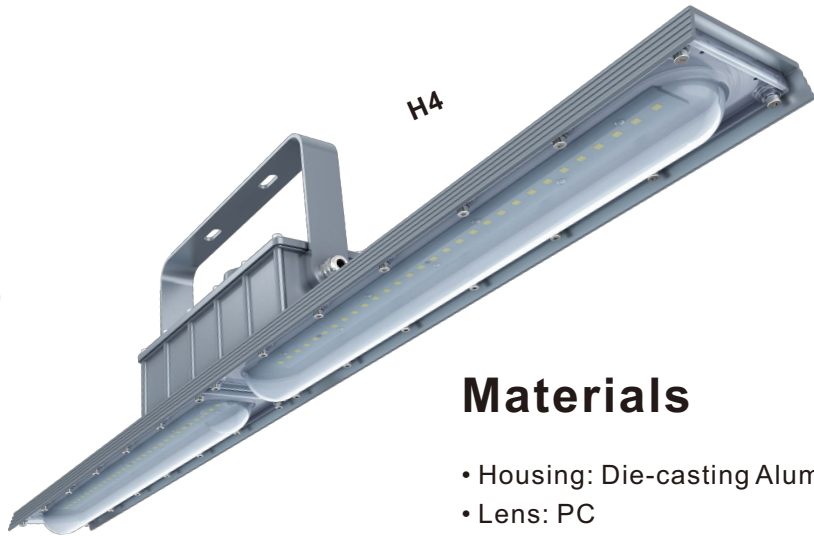
Marking Marine

UL1598, UL1598A

ABS

Other Rating

IP 66



Materials

- Housing: Die-casting Aluminum
- Lens: PC
- Hardware: stainless steel
- Mounting Bracket: stainless steel



Specification

Product Number	Wattage	Color Temperature	Voltage	Lumens	Warranty	CRI
EX-20W H2YZDA	20	2200K-7000K	AC100-277V IC 100-277V AC 200-480V DC 12-48V	2800	5 years	80
EX-40W H2YZDA	40			5600		
EX-40W H4YZDA	40			5600		
EX-60W H4YZDA	60			8400		
EX-80W H4YZDA	80			11200		

"H2, H4"=Product code "Y"=D or N: Dimmable or Non-dimmable "Z"=CCT, from 2200~7000K "D"=Beam angle, D120 for 120°. A for cover info. blank for flat cover, C spherical cover.

Packing Information

Model	Quantity / Ctn	Length(cm)	Width (cm)	Height(cm)	Net weight(kg)	Gross weight (kg)
H2	2	69.1	41.3	29	4	9
H4	2	130	40	29.5	5.5	14.5

Light Distribution

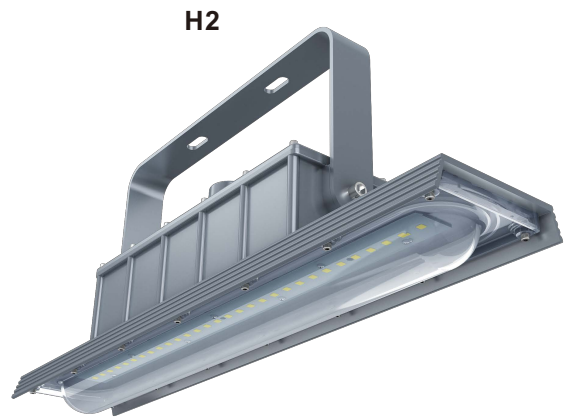
120D

Center Beam fc	Beam Width
10ft	25fc 30ft 34ft
20ft	6fc 59ft 67ft
30ft	3fc 89ft 100ft
40ft	1fc 148ft 134ft
50ft	0.6fc 178ft 168ft

■ Vert, Spread; 120°
■ Horiz, Spread; 120°

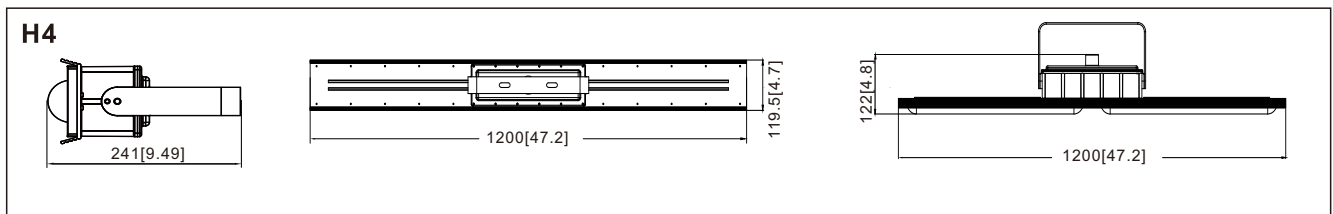
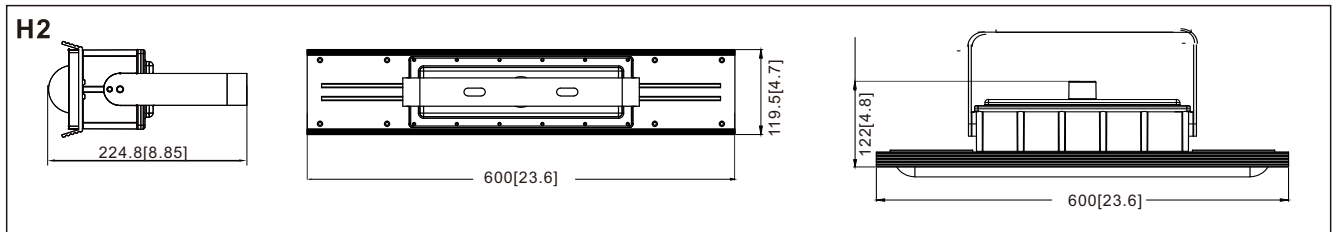
Features

- Working Temperature: -40°C ~ +60°C.
- High quality SMT LED and Meanwell Driver.
- Light-weight design by aircraft aluminum.
- Heavy-duty and high impact resistance.
- Three connection cable entry points.
- Replaceable LED board and drivers.
- Integrated junction box for driver with emergency back up.
- Dimmable and battery back up function available.
- Marine rating powder coated appearance treatment.
- Up to 5 years limited warranty option.
- Emergency Battery back up to three hours.
- Various installation ways for different applications.
- Glass lens or Glass with polycarbonate lens to make bigger beam angle.



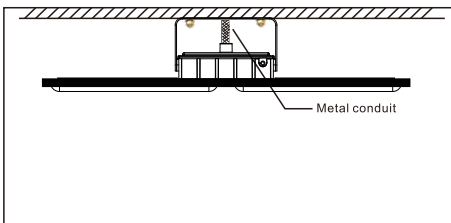
Dimension

Unit: mm or inch

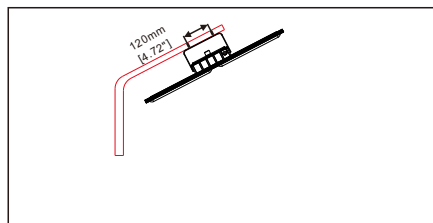


Mounting

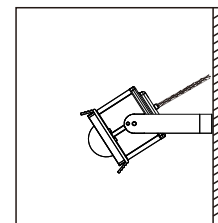
No.1 Ceiling Mounting



No.2 Pole Bracket Mounting



No.3 Wall Mounting



Accessories

Bracket



Metal Conduit



Bended Pipe

